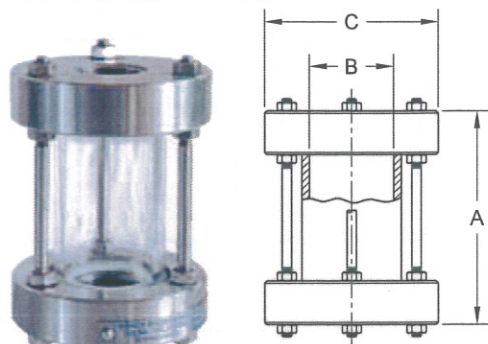


## FULL VIEW & ARMORED SIGHT FLOW INDICATORS

KENCO Full View Sight Flow Indicators provide for the maximum viewing area of all types of flow indicators. The open design allows 360° inspection of the liquid being observed. Available in NPT Threaded and Flanged models, these sight flow indicators are designed to enhance the visibility of the media as it passes through the glass cylinder. Full View Indicators are recommended for low pressure applications where maximum visibility is needed. They are best suited for vertically mounted applications.

### PRODUCT DIMENSIONS

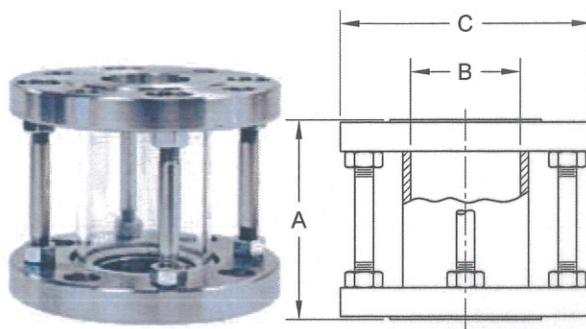
**Full View: Threaded End Plates**



Size (Inches)	Dimensions			Pressure Rating (psig)
	*A	B (I.D.)	C	
1/2"	4.50"	1.44"	3.50"	150
3/4"	4.50"	1.44"	3.50"	150
1"	4.50"	1.63"	3.50"	150
1-1/4"	4.75"	2.13"	4.00"	120
1-1/2"	4.75"	2.13"	4.00"	120
2"	5.50"	2.63"	4.50"	100

\* Dimension "A" is ±0.13"

**Full View: 150 Lb. Flanged End Plates**

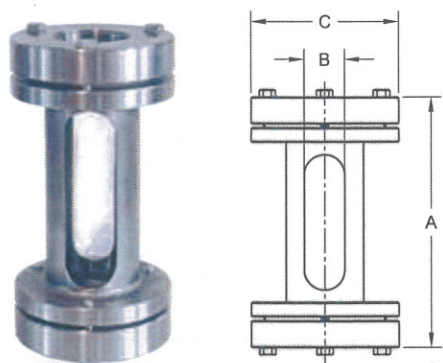


Size (Inches)	Dimensions			Pressure Rating (psig)
	*A	B (I.D.)	C	
1/2"	3.88"	0.94"	3.50"	150
3/4"	3.88"	1.19"	3.88"	150
1"	4.00"	1.44"	4.25"	150
1-1/2"	4.00"	2.13"	5.00"	120
2"	4.75"	2.63"	6.00"	100
2-1/2"	5.38"	3.13"	7.00"	85
3"	5.38"	3.50"	7.50"	100
4"	7.50"	4.50"	9.00"	70
6"	10.38"	6.25"	11.00"	45

\* Dimension "A" is ± 0.13"

KENCO Armored Sight Flow Indicators provide the best mix between visibility and protection. The additional shielding provides protection, while still maintaining maximum visibility. These units can be mounted either vertically or horizontally. The body of the Flanged Armored Indicator is not a wetted part. Only the glass, seal and the PTFE flange facing are in contact with the process media.

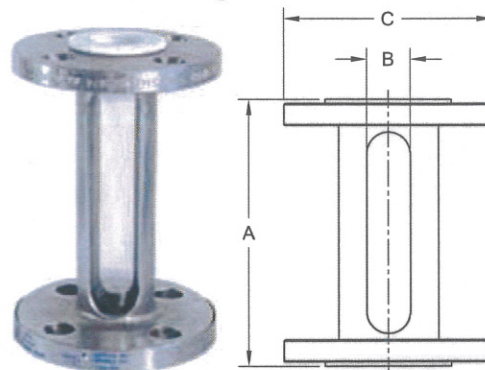
**Armored: Threaded End Plates**



Size (Inches)	Dimensions			Pressure Rating (psig)
	*A	B	C	
1/2"	7.00"	0.63"	2.50"	150
3/4"	7.00"	0.88"	3.00"	150
1"	7.00"	1.00"	3.00"	150
1-1/4"	7.63"	1.25"	4.00"	150
1-1/2"	7.63"	1.25"	4.00"	150
2"	7.63"	1.25"	4.50"	120

\* Dimension "A" is ±0.13"

**Armored: 150 Lb. Flanged End Plates**



Size (Inches)	Dimensions			Pressure Rating (psig)
	*A	B	C	
1/2"	6.13"	0.63"	3.50"	150
3/4"	6.38"	0.88"	3.88"	150
1"	6.38"	1.00"	4.25"	150
1-1/2"	6.75"	1.25"	5.00"	150
2"	7.63"	1.25"	6.00"	120
2-1/2"	7.88"	1.50"	7.00"	100
3"	8.13"	1.75"	7.50"	85
4"	8.13"	1.75"	9.00"	90

\* Dimension "A" is ±0.13"